



Qcut 150 A

FLEXIBLE AND EASY TO HANDLE

**PRECISION CUT-OFF MACHINE
WITH HIGHEST PRECISION**

RELIABLE AND COST-EFFECTIVE

Qcut 150 A – PRECISION CUT-OFF MACHINE

The Qcut 150 A is a flexible precision cut-off machine which is used with cut-off wheels up to a diameter of 203 mm/8".

The compact benchtop model performs automatic as well as manual cuts with the ergonomic lever. The optional clamping arm with built-in force sensor ensures low-deformation cuts due to a precise force-controlled feed rate.

The new functionality "zone cutting" allows for setting feed rate or cutting force individually for single sections of the specimen for one cutting operation. Material deformation and warming are thus reduced, making the cutting process more effective.

VERY VERSATILE



Force-controlled cutting

The cutting force gets precisely controlled by an integrated force-sensor. It keeps the cutting force constant by adjusting the feed rate automatically throughout the cutting process.



4.3" touchscreen

The proven QATM-software on the 4.3" touchscreen contains a consumable and program database which allows also to create individually set user profiles.



Table attachment

With the tool-free mountable table attachment PCBs, plate material or large samples can be quickly sectioned manually.



Benefits Qcut 150 A

- | Up to 5 different modes: manual, automatic feed, force-controlled feed, grinding mode, cutting with table attachment (depending on machine configuration)
- | Manual cross feed
- | Zone cutting function
- | 4 different cooling systems available
- | Dressing device
- | Intuitive QATM software with integrated database

ACCESSORIES AND CLAMPING DEVICES

CLAMPING DEVICES

Besides standard sample holders there are special clamping devices available for various applications:

- | (1) Universal clamping device
- | (2) Double parallel vice
- | (3) Drop shape sample holder
- | (4) Matrix clamping device
- | (5) Mini vice
- | (6) Adaptor with ball joint

All clamping devices are available in two different sizes and very easy to apply.

TABLE ATTACHMENT

The optional table attachment for Qcut 150 A is ideal for fast cutting of PCB's, sheet material or large samples. It is supplied incl. angle stop (fixed 90°), rip fence and small splash guard. An adjustable angle stop is available as an accessory.

COOLING SYSTEMS

With the 4 different cooling systems, a very wide range of applications and materials can be covered:

- | Cut-off wheel immersion cooling
- | Circulation cooling 15 L with filter
- | Circulation cooling 45 L
- | Fresh water cooling system

Qcut 150 A AT A GLANCE

PRECISION CUT-OFF MACHINE



Qcut 150 A

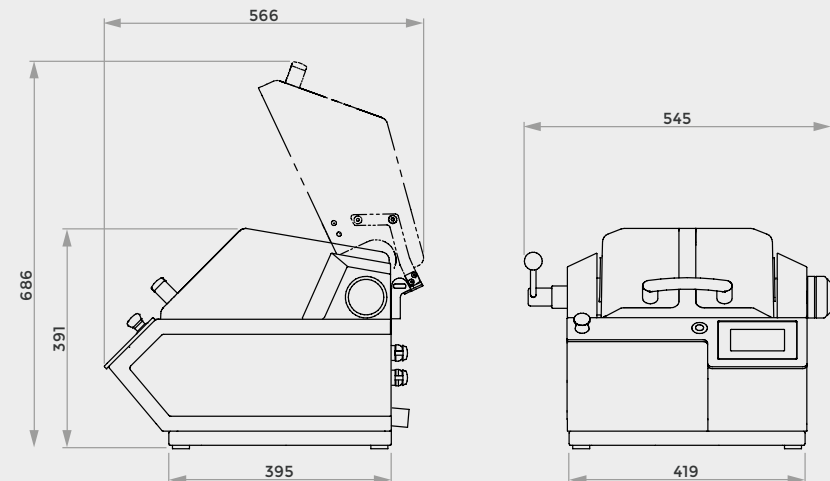
MODEL

FEATURES

Cutt-off wheel size	up to \varnothing 203 mm/8"
Max. specimen size	\varnothing 40 mm
Max. cutting force/increments	10N/0.5N
Automatic feed	0.01 - 20 mm/s
Y-axis (vertical cut)	120 mm manual / automatic
Z-axis (cross feed)	25 mm
Position accuracy Z-axis	0.005 mm
Speed	variable, 300 - 3000 min ⁻¹

TECHNICAL DATA

Drive power (main drive)	0.37 kW (S1)
Connection power	0.75 kW
W x H x D	545 x 391 x 566 mm
Weight	~ 45 kg (depending on configuration)
More information on	www.qatm.com/qcut-150a



ATM Qness GmbH

Emil-Reinert-Str. 2
57636 Mammelzen
Germany

Phone: +49 2681 9539 0
Fax: +49 2681 9539 27



ATM Qness GmbH

Reitbauernweg 26
5440 Golling
Austria

Phone: +43 6244 34393
Fax: +43 6244 34393 30



info@qatm.com www.qatm.com



VERDER scientific

VERDER SCIENTIFIC

SCIENCE
FOR SOLIDS

Verder Scientific is a business field belonging to the Verder Group and sets standards in the development, manufacture and sale of laboratory and analytics devices. Used in quality control, research and development for test-piece preparation and the analysis of solids.

For several decades our companies have supplied production plants and research institutes, laboratories for quality testing and analytics, all kinds of technical specialists and scientists with modern, reliable devices to solve the many and varied challenges they face.

